

Manual for use

Item number: 28021



Please read this manual carefully before using.



Technical specifications

Item	Cordless impact wrench
Speed without load	0-2000min ⁻¹
Number of strokes	0-3000bpm
Torque (soft/hard)	150Nm
Max. battery voltage	20V
Tool carrier	1/4"
Weight without battery	1,2kg
Protection marking	IPX0
Sound pressure level, uncertainty K	LpA= 92dB(A), K= 3dB(A)
Sound power level, uncertainty K	LwA= 103dB(A), K= 3dB(A)
Max. total value of vibrations; uncertainty K	a _{h,D} =15,9 m/s ² ; K= 1,5m/s ²

Components and controls



- 1) Trigger
- 2) Tool carrier
- 3) Rotation direction toggle switch
- 4) Handle
- 5) Hanging hook
- 6) Battery
- 7) Battery release button
- 8) LED indicator light for illuminating work area

Charging the battery

APPROXIMATE CHARGE TIMES WITH CHARGERS	
4000 mAh	
4 A quick charger (28086)	55 min.
2,4 A quick charger (28085)	90 min.
2000 mAh	
4 A quick charger (28086)	30 min.
2,4 A quick charger (28085)	45 min.

WARNING

Before preparing and using the cordless tool for use, read the entire instruction manual and keep it with the product so that the operator can familiarize himself with it.

If you lend or sell the product to anyone, enclose this instruction manual with it. Avoid damaging this manual. The manufacturer is not liable for damages or injuries caused by using the device, which is in conflict with these instructions. Before using the appliance, familiarize yourself with all its controls and components, as well as how to switch off the appliance, so that you can switch it off immediately in the event of a dangerous situation. Before use, check that all components are securely fastened and that any part of the device, such as the safety guards, is not damaged, incorrectly installed or missing in place. This also applies to the charger and its power cord. If the cordless tool, battery or charger is damaged or incomplete, do not use it and have it repaired or replaced with original parts.

To check the battery charge level, press the button on the battery and, if necessary, charge the battery according to the number of LEDs and the expected operating time of the cordless tool. When the battery is fully charged, all LEDs are lit. The battery can be charged from any charge level without reducing its capacity.

- 1. Insert the battery into the slots of the supplied charger first.**
- 2. Before connecting the charger to a power source. current, check that the voltage in the socket corresponds to the range 220-240 ~ 50 Hz and that the charger does not have a damaged power cable (eg insulation) or cover or other part.**

If the charger is damaged, have it replaced by a faultless original one from the manufacturer. Only the original charger provided by the manufacturer must be used to charge the battery, otherwise the use of another charger may cause a fire or explosion due to unsuitable charging parameters. Protect the charger's power cord from damage.

- 3. Connect the charger to a wall outlet. current.**

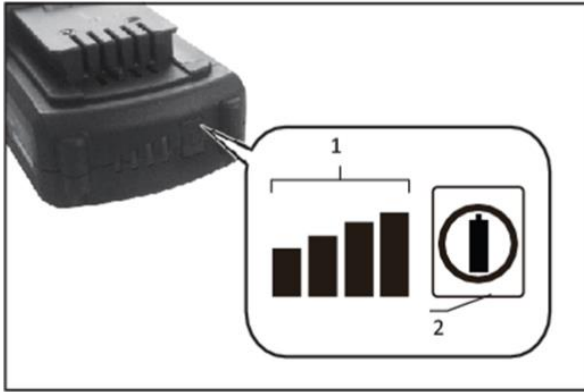
For 28085/28086 chargers

- when in charging process, it is indicated by a green flashing LED next to the red LED.
- when full charging, it is indicated only by a green LED on.
- when in abnormal charging process, it is indicated by both green and red flashing LED.
- The charge level of the battery can be monitored by the number of lit LEDs on the battery that light up when the battery is being charged. We reserve the right to change the above signaling of the charging and recharging process.

- After charging, first disconnect the charger from the power source. power, and then slide the battery out of the charger slots by pressing and holding the button on the battery.

Description of battery functions

Display of remaining battery capacity



1. Indicator lamps 2. Check button

Indicator lamps			Remaining capacity
Lighted	Off	Blinking	
■ ■ ■ ■			75% to 100%
■ ■ ■ □			50% to 75%
■ ■ □ □			25% to 50%
■ □ □ □			0% to 25%
▣ □ □ □			Charge the battery.

Attaching or removing the battery

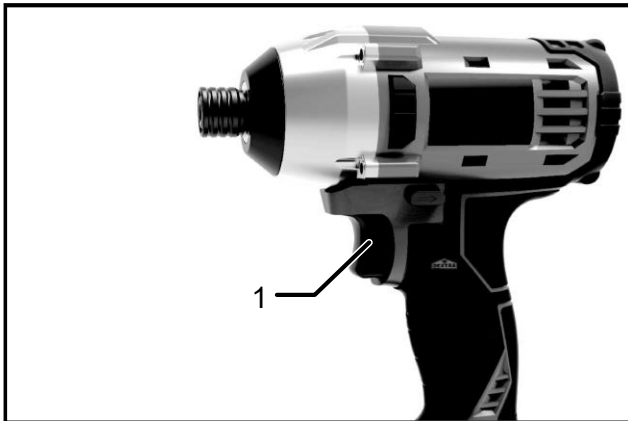


1. Button
2. Battery

Use

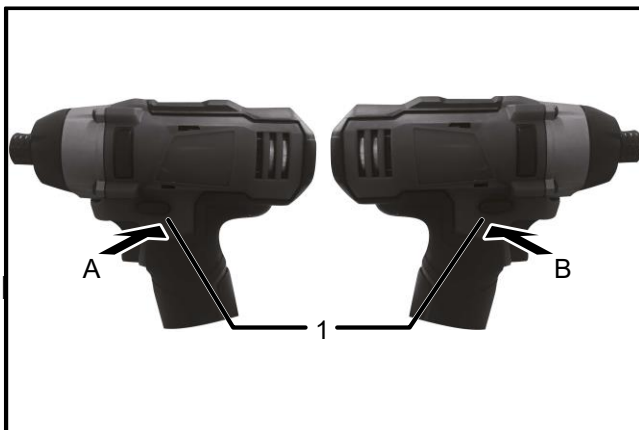
- Always use tools in perfect condition for cordless tools.
- If there is abnormal sound, vibration or operation while the unit is running, turn off the unit immediately, remove the battery, and determine the cause of the abnormal operation. If the abnormal operation is caused by a fault inside the device, have it repaired by an authorized service.

Switch action



► 1. Switch trigger

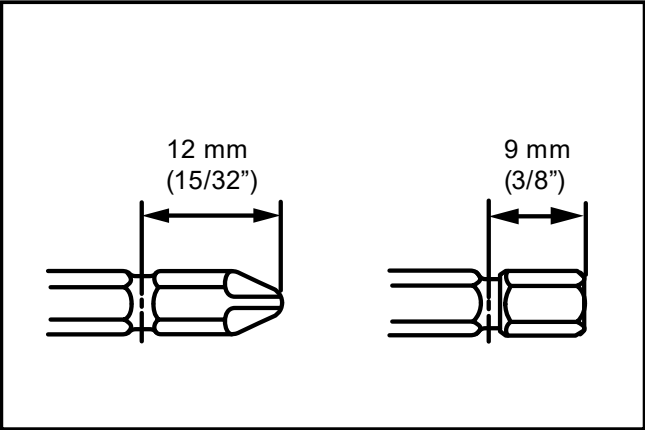
Reversing switch action



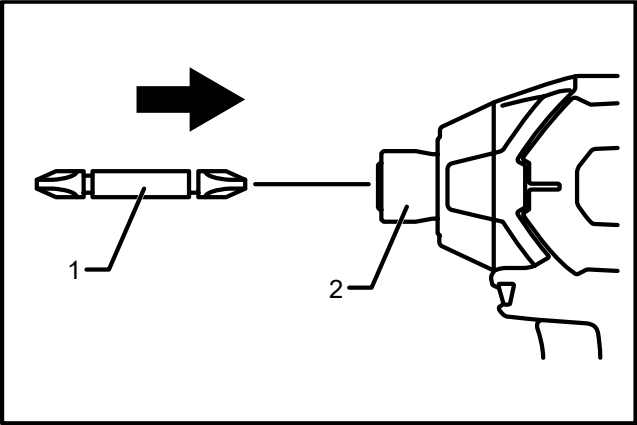
1. Reversing switch lever

- This tool has a reversing switch to change the direction of rotation. Depress the reversing switch lever from the A side for clockwise rotation or from the B side for counterclockwise rotation.
- When the reversing switch lever is in the neutral position, the switch trigger cannot be pulled.

Installing or removing driver bit/ socket bit

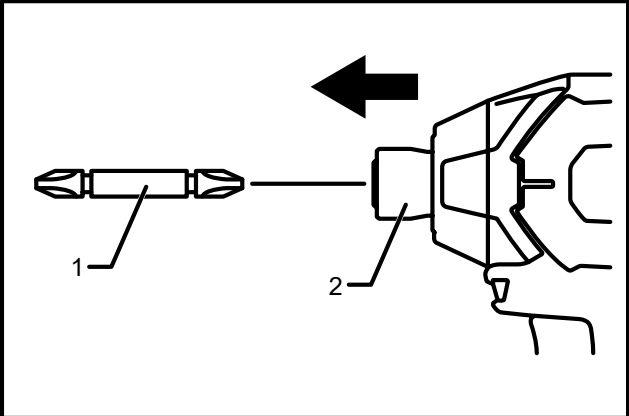


- Use only the driver bit / socket bit shown in the figure. Do not use any other driver bit / socket bit.



1. Driver bit 2. Sleeve

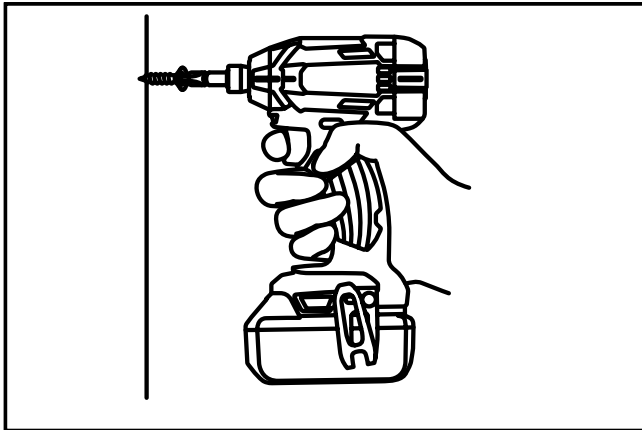
- To install the driver bit, insert in into the sleeve as far as it will go.



1. Driver bit 2. Sleeve

- To remove the driver bit, pull the sleeve in the direction of the arrow and pull the driver bit out.

Operation



- Hold the tool firmly and place the point of the driver bit in the screw head. Apply forward pressure to the tool to the extent that the bit will not slip off the screw and turn the tool on to start operation.
- The fastening torque is affected by a wide variety of factors including the following. After fastening, always check the torque with a torque wrench.
 1. When the battery cartridge is discharged almost completely, voltage will drop and the fastening torque will be reduced.
 2. Failure to use the correct size driver bit or socket bit will cause a reduction in the fastening torque.
 3. Bolt
 - Even though the torque coefficient and the class of bolt are the same, the proper fastening torque will differ according to the diameter of bolt.
 - Even though the diameters of bolts are the same, the proper fastening torque will differ according to the torque coefficient, the class of bolt and the bolt length.
 4. The manner of holding the tool or material of driving position to be fastened will affect the torque.
 5. Operating the tool at low speed will cause a reduction in the fastening torque.

Safety instructions

1. Safety instructions for all work activities

- Exposure to noise can cause hearing loss.
- An additional handle must be used. Loss of control can cause personal injury. Note: The above warning only applies to tools supplied with an auxiliary handle.
- When performing an operation where the cutting tool may touch a hidden guide or its own supply, hold the power tool by the gripping insulated surfaces. Contact of the tool with a "live" wire can cause the non-insulated metal parts of the electromechanical tool to become alive and can lead to electric shock to the user.

2. Safety instructions when using long drills

- Never use the machine at speeds higher than the maximum rated drill speed.

- At higher speeds, the drill is likely to bend if it is allowed to rotate freely without being in contact with the workpiece, which can result in personal injury.
- Always start at low speed at the beginning of drilling and the tip of the drill must touch the workpiece.
- It is only necessary to push in a straight line with the drill and must not be subjected to excessive pressure. The drills can bend and crack or cause loss of control, which can result in personal injury.
- In the case of applications where a considerable amount of dust is generated, such as hammer drilling, cutting into masonry, drilling with a diamond drill, use an industrial vacuum cleaner to remove dust.
- Do not use a cleaning vacuum cleaner to remove dust. Inhalation of dust is harmful to health. Ensure adequate ventilation when working.
- When working, use certified eye, ear and respiratory protection with a sufficient level of protection. Consult your personal protective equipment store for a sufficient level of protection.

General safety instructions for power tools

CAUTION!

All safety instructions, operating instructions, pictures and regulations supplied with this tool must be read. Failure to follow all of the following instructions may result in electric shock, fire, and / or serious personal injury.

All instructions and instructions for use must be kept for future reference.

The term "power tool" in all of the following warnings refers to a mains-operated (flexible power supply) or a battery-powered power tool (without a movable power supply).

1. SAFETY OF THE WORK ENVIRONMENT

- Workplaces must be kept clean and well lit.** Clutter and dark spaces are often the cause of accidents.
- Power tools must not be used in potentially explosive atmospheres where flammable liquids, gases or dust are present.** Power tools create sparks which may ignite the dust or fumes.
- When using a power tool, keep out of the reach of children and others.** If the operator is disturbed, he may lose control of the activity being performed.

2. ELECTRICAL SAFETY

- The plug of the power tool's flexible lead must match the power outlet. The forks must never be modified in any way. No socket adapters may be used with tools that have a protective earth connection.** Plugs that are not damaged by modifications and the corresponding sockets will reduce the risk of electric shock.
- Operators must not touch grounded objects, such as pipes, central heating units, cookers and refrigerators.** The risk of electric shock is greater if your body is connected to the ground.
- Power tools must not be exposed to rain, moisture or wetness.** If water enters the power tool, the risk of electric shock increases.
- The flexible supply must not be used for other purposes. The power tool must not**

be carried or pulled by the power cord, nor must the plug be unplugged from the outlet. The inlet must be protected from heat, grease, sharp edges or moving parts. Damaged or tangled leads increase the risk of electric shock.

- e) **If the power tool is used outdoors, an extension cord suitable for outdoor use must be used.** Using an extension cord for outdoor use reduces the risk of electric shock.
- f) **If the power tool is used in humid areas, a RCD protected power supply must be used.** Using an RCD reduces the risk of electric shock. The term "RCD" may be replaced by "main circuit breaker (GFCI)" or "leakage circuit breaker (ELCB)".

3. PERSONAL SAFETY

- a) **When using a power tool, the operator must be careful, pay attention to what he is doing, and concentrate and think soberly. Power tools must not be used if the operator is tired or under the influence of drugs, alcohol or medication.** Momentary inattention while using a power tool can result in serious personal injury.
- b) **Use personal protective equipment. Always wear eye protection.** Protective equipment such as a respirator, non-slip safety shoes, hard headgear or hearing protection, used in accordance with the working conditions, reduces the risk of personal injury.
- c) **Unintentional starting of the machine must be avoided. Make sure that the switch is in the off position before plugging in and / or connecting the battery pack, lifting or carrying the tool.** Carrying a tool with your finger on the switch or plugging in a tool fork with the switch on can cause accidents.
- d) **All adjusting tools or wrenches must be removed before turning on the tool.** An adjusting tool or wrench that remains attached to the rotating part of the power tool may result in personal injury.
- e) **The operator must only work where he can reach safely. The operator must always maintain a stable posture and balance.** This will allow better control of the power tool in unforeseen situations.
- f) **Dress appropriately. Do not wear loose clothing or jewelry. The operator must make sure that his hair and clothing are far enough away from moving parts.** Loose clothing, jewelry and long hair can be caught in moving parts.
- g) **Where means are provided for the connection of dust extraction and collection facilities, care shall be taken to ensure that such equipment is connected and used correctly.** The use of these devices can reduce the hazards caused by dust.
- h) **The operator must not allow the routine, which is based on the frequent use of the tool, to become complacent and ignore the principles of tool safety.** Careless operation can cause serious injury in a fraction of a second.

4. USE AND MAINTENANCE OF BATTERY TOOLS

- a) **Power tools must not be overloaded. It is necessary to use the correct power tool that is intended for the work performed.** The right power tool will do the job it was designed to do better and safer.
- b) **Power tools that cannot be turned on and off with the switch must not be used.** Any power tool that cannot be operated with the switch is dangerous and must be repaired.
- c) **Before making any adjustments, changing accessories or storing power tools, unplug the power tool and / or remove the battery pack from the power tool, if removable.** These precautions reduce the risk of accidental starting of the power tool.
- d) **Unused power tools must be stored out of the reach of children and persons unfamiliar with the power tool or these instructions must not be allowed to use the power tool.** Power tools are dangerous in the hands of inexperienced users.
- e) **Power tools and accessories must be maintained. It is necessary to check the adjustment of moving parts and their mobility, focusing on cracks, broken parts and**

any other circumstances that may jeopardize the function of the power tool. If the tool is damaged, it must be repaired before further use. Many accidents are caused by poorly maintained power tools.

- f) **Cutting tools must be kept sharp and clean.** Properly maintained and sharpened cutting tools are less likely to catch on the material or become jammed and easier to control.
- g) **Power tools, accessories and tool bits etc. must be used in accordance with these instructions and in the manner intended for the particular power tool, taking into account the working conditions and the work to be performed.** Using power tools for activities other than those for which they were designed can lead to dangerous situations.
- h) **Handles and grip surfaces must be kept dry, clean and free of grease.** Slippery handles and grip surfaces do not allow the tool to be held and inspected safely in unexpected situations.

5. USE AND MAINTENANCE OF BATTERY TOOLS

- a) **Charge the tool only with the charger specified by the manufacturer.** A charger that may be suitable for one type of battery pack may present a fire hazard when used with another battery pack.
- b) **Only use the tool with a battery pack that is specifically designed for the tool.** Use of any other battery pack may present a risk of injury or fire.
- c) **When the battery pack is not in use, protect it from contact with other metal objects such as paper clips, coins, keys, nails, screws, or other small metal objects that may cause one battery contact to connect with another.** Short-circuiting the battery terminals may cause burns or fire.
- d) **If used incorrectly, liquids may leak from the battery; avoid contact with them. In case of accidental contact with these liquids, rinse the affected area with water. In addition, seek medical attention if fluid gets in your eyes.** Liquids escaping from the battery can cause inflammation or burns.
- e) **A battery pack or tool that is damaged or rebuilt must not be used.** Damaged or modified batteries can behave unpredictably, which can result in fire, explosion, or risk of injury.
- f) **Battery packs or tools must not be exposed to fire or excessive heat.** Exposure to fire or temperature above 130 ° C may cause an explosion.
- g) **All charging instructions must be followed and the battery pack or tool must not be charged outside the temperature range specified in the operating instructions.** Improper charging or charging at temperatures outside this range may damage the battery and increase the risk of fire.

6. SERVICE

- a) **Have your cordless tool repaired by a qualified person using identical spare parts.** This will ensure the same level of tool safety as before repair.
- b) **Damaged battery packs must never be repaired.** Repairs to battery packs should only be performed by the manufacturer or an authorized service center.

Charger safety instructions



- Protect the charger from rain and moisture. The charger may only be used indoors.
- The charger is intended for charging only the battery supplied with this cordless tool and no other batteries. Charging batteries other than those for which the charger is intended may result in fire or explosion.
- Keep the charger clean.

- Before each use, check that the charger is in good condition, including the power cord.
- Do not operate the charger on highly flammable objects and substrates (eg paper) or in an environment with an explosive and / or flammable atmosphere.
- Always provide adequate ventilation when charging, as vapors or electrolyte may leak from the battery if the battery is damaged due to mishandling / damage.
- Do not operate the charger on highly flammable objects and substrates (eg paper) or in an environment with an explosive and / or flammable atmosphere.
- Always provide adequate ventilation when charging, as vapors or electrolyte may leak from the battery if the battery is damaged due to mishandling / damage.
- When charging is complete, disconnect the charger from the wall outlet. do not leave it connected to the power supply for longer than necessary.
- Avoid using the charger by persons (including children) whose physical, sensory or mental disability or lack of experience and knowledge prevents them from using the appliance safely without supervision or instruction. Children must not play with the appliance. In general, the use of the appliance by very young children (age 0-3 years inclusive) and use by younger children without supervision (age over 3 years under 8 years) are not taken into account. It is recognized that people with severe disabilities may have needs outside the level specified in this standard (EN 60335).

Battery safety instructions

- Store and charge the battery in a dry environment and make sure that no water enters it.
- Never expose the battery to direct sunlight or temperatures above 50 ° C.
- Charge the battery only for the time required for charging, see. indicator light on the charger.
- Keep the battery connectors clean and free from clogging, deformation and short circuits.
- Protect the battery from shocks, moisture and never open or mechanically damage the battery.
- Never incinerate, dispose of in water or the environment, but dispose of it in an environmentally friendly manner.
- Avoid skin contact if the battery is damaged and electrolyte leaks due to improper handling of the battery. If skin gets on, wash thoroughly with water. Liquids leaking from the battery can cause inflammation, burns, or burns. In case of contact with eyes, rinse thoroughly with clean water and consult a doctor immediately, in case of ingestion consult a doctor immediately about the procedure.

Storage

- Store cordless tools in a dry place out of the reach of children. For safety reasons, remove the battery before storing the cordless tool. When the battery is inserted in the cordless tool, it discharges faster. Protect the battery and tools from frost, high temperatures, humidity and water.

Meaning of symbols on labels



	Read the instructions before use.
	Use certified eye and ear protection with a sufficient level of protection.
	Use certified respiratory protection with adequate level of protection.
	Meets relevant EU requirements.
	Second class protection equipment. Double insulation.
	The charger is intended for indoor use only. Must be protected from rain and moisture.
	DC current/ voltage.
	The socket is designed for charging the battery with direct current.
	Fuse with indication of current value in A.
	Caution, warning, follow instructions.
	Battery recovery, see below.
	Electrical waste, see below.
	Do not expose the battery to direct sunlight or temperatures above 50 °C.
	Do not dispose of the battery in water or the environment.
	Do not incinerate the battery.

SN	Serial number including year, month of manufacture
-----------	---

Waste disposal

PACKAGING

- Dispose of the packaging in the appropriate waste container.

CORDLESS POWER TOOLS



According to the European Directive (EU) 2012/19, electrical and electronic equipment may not be disposed of as mixed waste, but it is necessary to return them for ecological disposal to the return of electrical equipment at designated collection points. Before returning the cordless tool, remove the battery, which must be disposed of in an environmentally friendly manner separately. You will receive information about collection points at the municipal office.

BATTERY



The battery contains cartridges that are dangerous for the environment, so return it to the batteries for ecological recycling / disposal. According to the European Directive on Accumulators and Batteries 2006/66 EC, unusable batteries must not be disposed of with mixed waste or the environment. You will receive information about collection points at the municipal office.

Warranty period and conditions (rights from defective performance)

- If the buyer so requests, the seller is obliged to provide the buyer with warranty conditions (rights from defective performance) in writing in accordance with the law.

WARRANTY AND POST-WARRANTY SERVICE

To exercise the right to warranty repair of the goods, contact the dealer from whom you purchased the goods.

EU Declaration of Conformity

Manufacturer Levior s.r.o. • Tovačovská 3488, CZ-750 02 Přerov declares that the subsequently marked devices, based on their concept and construction, as well as the designs listed on the market, meet the requirements of the European Union listed below. This declaration is issued under the sole responsibility of the manufacturer.

Subjects of declaration-product identification:

Cordless impact wrench:

28021 Cordless impact wrench

comply with the following harmonized standards, including their amending annexes, if any, by which conformity with the following harmonization provisions is declared:

2006/42 ES:

EN 62841-1:2015, EN 62841-2-1:2018, EN 62841-1:2015, EN 62841-2-2:2014 cordless drills; EN 62841-1:2015, EN 62841-2-2:2014 cordless impact wrench; EN 60745-1:2009, EN 60745-2-6:2010 cordless hammer; EN 60745-1:2009, EN 60745-2-3:2011 cordless angle grinder; EN 62841-1:2015, EN 62841-2-4:2014 cordless multi-function tool; EN 62841-1:2015, EN 62841-2-5:2014 cordless circular saw; EN 62841-1:2015, EN 62841-2-4:2014, cordless sander; EN 60745-1:2009/A11:2010, EN 60745-2-16:2010 cordless stapler; EN 62841-1:2015, EN 62841-2-11:2016 cordless reciprocating saw; EN 62841-1:2015, EN 62841-2-11:2016 cordless jig saw; EN 60598-2-5:2015 used in conjunction with EN 60598-1:2015, clause 9.2 cordless led light; EN 62841-2015, EN 62841-2-2:2014 cordless screwdriver.

(EU) 2014/35:

EN 60335-1:2012, EN 60335-2-29:2004; EN 62233:2008 chargers

(EU) 2014/30:

EN 55014-1:2006 until 28.4.2020/ thereafter EN 55014-1:2017; EN 55014-2:1997 until 25.3.2018/ thereafter pursuant to EN 55014-2:2015; for chargers furthermore: EN 61000-3-2:2014; EN 61000-3-3:2013;

(EU) 2011/65: EN 50581:2012

EN 62133:2013 until 14.3.2020/ thereafter EN 62133:2017, UN 38.3 battery

The completion of technical documentation 2006/42 EC and 2000/14 EC was performed by Ondřej Marek with his registered office at the manufacturer's address.

The technical documentation (2006/42 EC, 2000/14 EC) is available at the manufacturer's address.

Place and date of issue of the EU declaration of conformity: Přerov, 3.3.2021

Person authorized to draw up the EU declaration of conformity on behalf of the manufacturer
(signature, name, function):

 **LEVIOR** s.r.o.®

Tovačovská 3488/28, 750 02 Přerov
IČO 61973939 DIČ CZ61973939
tel.: 581 746 256-8, fax: 581 746 255



Ondřej Marek

Managing director Leviator s.r.o.

Návod k použití

Číslo položky: 28021

CE



Před použitím si pečlivě přečtěte tento manuál.

Tento manuál byl přeložen z originálu.



Technické údaje

Název	Aku rázový utahovák uhlíkový
Otáčky bez zatížení	0-2000min ⁻¹
Počet rázů	0-3000bpm
Krouticí moment	150Nm
Max. napětí akumulátoru	20V
Unašeč nástroje	1/4"
Hmotnost bez baterie	1,2kg
Krytí	IPX0
Hladina akustického tlaku; nejistota K	LpA= 92dB(A), K= 3dB(A)
Hladina akustického výkonu; nejistota K	LwA= 103dB(A), K= 3dB(A)
Max. celková hodnota vybrací; nejistota K	a _{h,D} =15,9 m/s ² ; K= 1,5m/s ²

Součásti a ovládací prvky



- 1) Provozní spínač
- 2) Unašeč nástroje
- 3) Přepínač směru otáčení
- 4) Rukojeť
- 5) Háček pro zavěšení
- 6) Akumulátor
- 7) Tlačítko pro odjištění akumulátoru
- 8) LED kontrolka pro osvětlení pracovního místa

Nabíjení akumulátoru

PŘIBLIŽNÉ DOBY NABÍJENÍ AKUMULÁTORŮ NABÍJEČKAMI	
4000 mAh	
4 A rychlonabíječka (28086)	55 min.
2,4 A rychlonabíječka (28085)	90 min.
2000 mAh	
4 A rychlonabíječka (28086)	30 min.
2,4 A rychlonabíječka (28085)	45 min.

UPOZORNĚNÍ

Před přípravou aku náradí k použití a jeho použitím si přečtěte celý návod k použití a ponechte jej přiložený u výrobku, aby se s ním obsluha mohla seznámit.

Pokud výrobek komukoli půjčujete nebo jej prodáváte, přiložte k němu i tento návod k použití. Zamezte poškození tohoto návodu. Výrobce nenes odpovědnost za škody či zranění vzniklá používáním přístroje, které je v rozporu s tímto návodem. Před použitím přístroje se seznamte se všemi jeho ovládacími prvky a součástmi a také se způsobem vypnutí přístroje, abyste jej mohli ihned vypnout v případě nebezpečné situace. Před použitím zkontrolujte pevné upevnění všech součástí a zkontrolujte, zda nějaká část přístroje jako např. bezpečnostní ochranné prvky nejsou poškozeny, či špatně nainstalovány nebo zda nechybí na svém místě. Toto platí i pro nabíječku i její přívodní kabel. Jsou-li aku náradí, akumulátor či nabíječka poškozeny, nebo nejsou-li kompletní, nepoužívejte je a zajistěte jejich opravu či náhradu za originální díly.

Pro ověření úrovně nabití akumulátoru stiskněte tlačítko na akumulátoru a podle počtu svítících diod a předpokládané době provozu aku náradí akumulátor v případě potřeby dobijte. Je-li akumulátor plně nabitý, svítí všechny LED diody. Akumulátor lze nabít z jakékoli úrovně nabití, aniž by se tím snižovala jeho kapacita.

- 1. Akumulátor nejprve zasuňte do drážek dodávané nabíječky.**
- 2. Před připojením nabíječky ke zdroji el. proudu zkontrolujte, zda napětí v zásuvce odpovídá rozmezí 220-240~50 Hz a zda nabíječka nemá poškozený přívodní kabel (např. izolaci) či kryt nebo jinou část.**

Je-li nabíječka poškozena, zajistěte její náhradu za bezvadnou originální od výrobce. K nabíjení akumulátoru musí být použita pouze originální nabíječka od výrobce, jinak použití jiné nabíječky může způsobit požár či výbuch v důsledku nevhodných nabíjecích parametrů. Napájecí kabel nabíječky chraňte před poškozením.

- 3. Nabíječku připojte ke zdroji el. proudu.**

Pro nabíječky 28085/28086

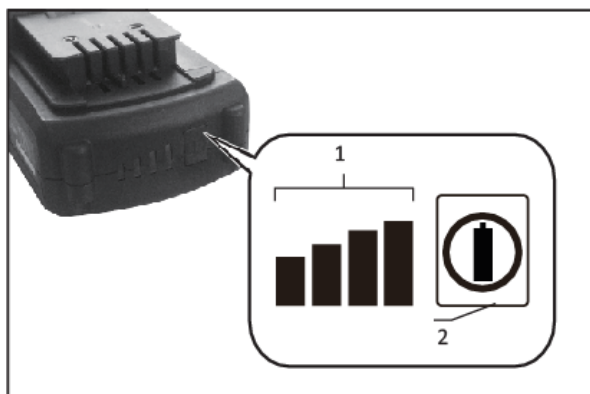
- proces nabíjení je indikován zelenou blikající LED vedle červené LED.
- plné nabití je indikováno pouze rozsvícením zelené LED.
- neobvyklý / špatný proces nabíjení je indikován zelenou a červenou blikající LED.
- Úroveň nabití baterie lze sledovat podle počtu rozsvícených LED diod na baterii, které se rozsvítí při nabíjení.

Právo na změnu výše uvedené signalizace procesu nabíjení a nabití vyhrazeno.

- Po nabití nejprve odpojte nabíječku od zdroje el. proudu a poté z drážek nabíječky vysuňte akumulátor po stisknutí a přidržení tlačítka na akumulátoru.

Popis funkcí baterie

Zobrazení zbývající kapacity baterie



1. Kontrolky 2. Kontrolní tlačítko

Kontrolky			Zbývající kapacita
Svíí	Nesvíí	Bliká	
■	□	▬	75% až 100%
■	■	■	50% až 75%
■	■	□	25% až 50%
■	□	□	0% až 25%
▬	□	□	Nabíjte baterii

Upevnění nebo vyjmutí baterie

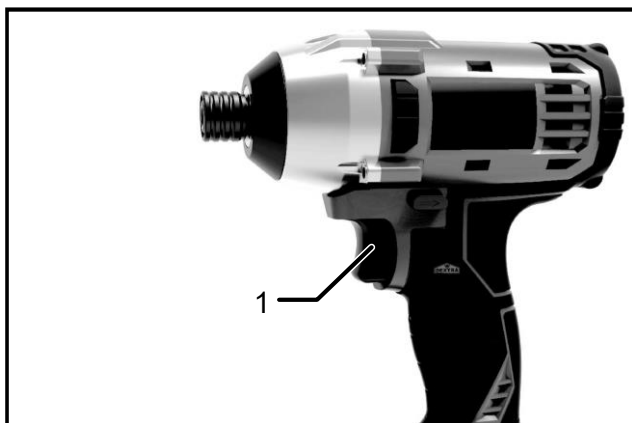


- Tlačítko
- Baterie

Použití

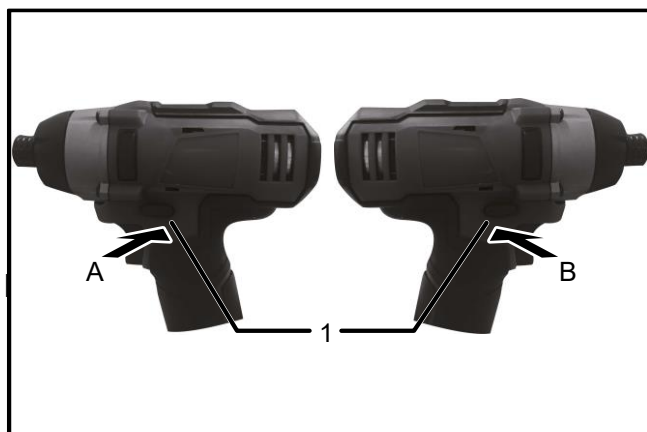
- Do aku náradí vždy používejte nástroje v bezvadném stavu
- Pokud během chodu přístroje bude nestandardní zvuk, vibrace či chod, přístroj ihned vypněte, vyjměte akumulátor a zjistěte a odstraňte příčinu nestandardního chodu. Je-li nestandardní chod způsoben závadou uvnitř přístroje, zajistěte jeho opravu a autorizovaném servisu.

Funkce spínače



► 1. Spínací tlačítko

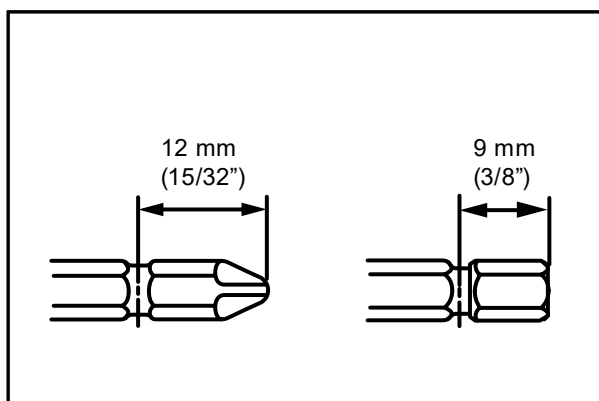
Přepínání směru otáček



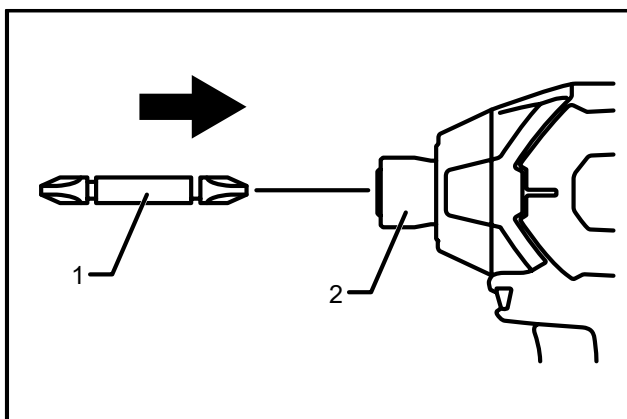
1. Přepínání zpětného chodu

- Tento přístroj je vybaven přepínačem pro změnu směru otáčení. Stiskněte přepínač zpětného chodu ze strany A pro otáčení ve směru hodinových ručiček, nebo ze strany B pro otáčení proti směru hodinových ručiček.
- Pokud je přepínač v neutrální poloze, nelze stisknout spínač

Instalace nebo vyjmutí šroubovacích bitů / nástrčných bitů

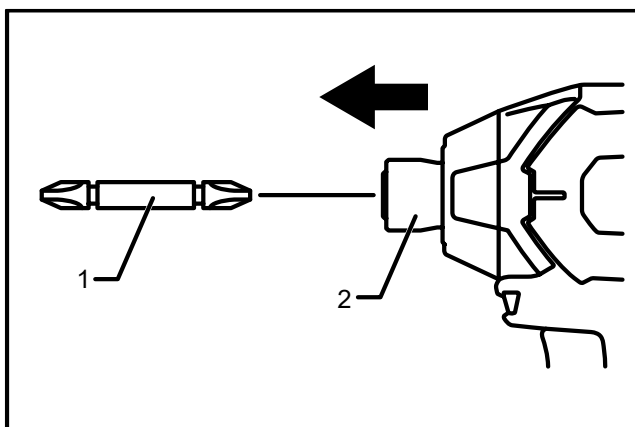


- Používejte šroubovací bity / nástrčné bity, které jsou znázorněny na tomto obrázku.



1. Bit 2. Objímka

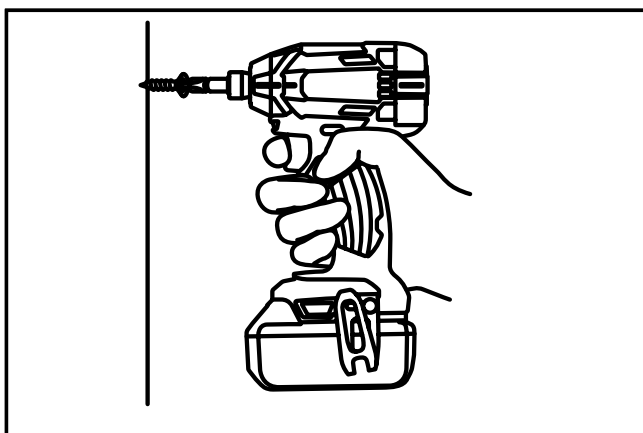
- Chcete-li upevnit bit do přístroje, zasuňte jej co nejdále do objímky.



1. Bit 2. Objímka

- Chcete-li bit vyjmout, povytáhněte objímku ve směru šipky a bit vyjměte.

Obsluha



- Vložte bit do hlavy přístroje, zkontrolujte, zda je správně upevněn. Držte přístroj pevně a uveďte jej do chodu.

- Utahovací moment je ovlivněn celou řadou faktorů, včetně následujících. Po upevnění vždy zkontrolujte moment pomocí momentového klíče.
1. Pokud je akumulátor téměř vybitý, napětí poklesne a utahovací moment se sníží.
 2. Pokud nepoužijete správný rozměr budicího nebo bitového nástavce, způsobí to snížení utahovacího momentu.
 3. Šroub
 - I když jsou momentový koeficient a třída šroubu stejné, správný utahovací moment se bude lišit podle průměru šroubu.
 - I když jsou průměry šroubů stejné, správný utahovací moment se bude lišit podle momentového koeficientu, třídy šroubu a délky šroubu.
 4. Způsob uchycení nástroje nebo materiálu v upevněné poloze řidiče ovlivní točivý moment.
 5. Práce s nástrojem při nízkých otáčkách způsobí snížení utahovacího momentu.

Bezpečnostní pokyny

1. Bezpečnostní pokyny pro všechny pracovní činnosti

- Při vrtání s přiklepem je nutno používat ochranu sluchu. Vystavení vlivu hluku může způsobit ztrátu sluchu.
- Je třeba používat přídatnou rukojeť. Ztráta kontroly může způsobit poranění osob. Poznámka: Výše uvedené varování platí pouze pro nářadí dodávané s přídatnou rukojetí.
- Při provádění činnosti, kde se obráběcí (pracovní) nástroj může dotknout skrytého vedení nebo svého vlastního přívodu, držte elektromechanické nářadí za úchopové izolované povrchy. Dotyk obráběcího nástroje se „živým“ vodičem může způsobit, že se neizolované kovové části elektromechanického nářadí stanou živými a mohou vést k úrazu uživatele elektrickým proudem.

2. Bezpečnostní pokyny v případě použití dlouhých vrtáků

- Nikdy nepoužívejte stroj na vyšší otáčky, než jsou maximální jmenovité otáčky vrtáku.
- Při vyšších otáčkách je pravděpodobné, že se vrták ohne, jestliže se nechá točit volně, aniž by byl v kontaktu s obrobkem, což může vést k poranění osob.
- Na začátku vrtání je nutno mít vždy nízké otáčky a špička vrtáku se musí dotýkat obrobku.
- Je nutno tlačit pouze v přímém směru s vrtákem a nesmí se působit nadměrným tlakem. Vrtáky se mohou ohnout, a mohou prasknout nebo způsobit ztrátu kontroly, což může vést k poranění osob.
- V případě použití, při kterém vzniká značné množství prachu jako je příklepové vrtání, sekání do zdiva, vrtání s diamantovým vrtákem, používejte k odsávání prachu průmyslový vysavač prachu.
- K odsávání prachu nepoužívejte úklidový vysavač. Vdechování prachu je zdraví škodlivé. Při práci zajistěte dostatečné odvětrávání prostoru.
- Při práci používejte certifikovanou ochranu zraku, sluchu a dýchacích cest s dostatečnou úrovní ochrany. O dostatečné úrovni ochrany se poraďte v obchodě s osobními ochrannými prostředky.

Obecné bezpečnostní pokyny pro elektrické nářadí

VÝSTRAHA!

Je nutno přečíst všechny bezpečnostní pokyny, návod k používání, obrázky a předpisy dodané s tímto nářadím. Nedodržení veškerých následujících pokynů může vést k úrazu elektrickým proudem, ke vzniku požáru a/nebo k vážnému zranění osob.

Veškeré pokyny a návod k používání se musí uschovat, aby bylo možné do nich později nahlédnout.

Výrazem „elektrické nářadí“ ve všech dále uvedených výstražných pokynech je myšleno elektrické nářadí napájené (pohyblivým přívodem) ze sítě, nebo elektrické nářadí napájené z baterií (bez pohyblivého přívodu).

1. BEZPEČNOST PRACOVNÍHO PROSTŘEDÍ

- a) **Pracoviště je nutné udržovat v čistotě a dobře osvětlené.** Nepořádek a tmavé prostory bývají příčinou nehod.
- b) **Elektrické nářadí se nesmí používat v prostředí s nebezpečím výbuchu, kde se vyskytují hořlavé kapaliny, plyny nebo prach.** V elektrickém nářadí vznikají jiskry, které mohou zapálit prach nebo výpary.
- c) **Při používání elektrického nářadí je nutno zamezit přístupu dětí a dalších osob.** Bude-li obsluha vyrušována, může ztratit kontrolu nad prováděnou činností.

2. ELEKTRICKÁ BEZPEČNOST

- a) **Vidlice pohyblivého přívodu elektrického nářadí musí odpovídat síťové zásuvce. Vidlice se nesmí nikdy jakýmkoliv způsobem upravovat. S nářadím, které má ochranné spojení se zemí, se nesmí používat žádné zásuvkové adaptéry.** Vidlice, které nejsou znehodnoceny úpravami a odpovídající zásuvky omezí nebezpečí úrazu elektrickým proudem.
- b) **Obsluha se nesmí tělem dotýkat uzemněných předmětů, jako např. potrubí, tělesa ústředního topení, sporáky a chladničky.** Nebezpečí úrazu elektrickým proudem je větší, je-li vaše tělo spojeno se zemí.
- c) **Elektrické nářadí se nesmí vystavovat dešti, vlhku nebo mokru.** Vnikne-li do elektrického nářadí voda, zvyšuje se nebezpečí úrazu elektrickým proudem.
- d) **Pohyblivý přívod se nesmí používat k jiným účelům. Elektrické nářadí se nesmí nosit nebo tahat za přívod, ani se nesmí tahem za přívod odpojovat vidlice ze zásuvky. Přívod je nutné chránit před horkem, mastnotou, ostrými hranami nebo pohyblivými částmi.** Poškozené nebo zamotané přívody zvyšují nebezpečí úrazu elektrickým proudem.
- e) **Je-li elektrické nářadí používáno venku, musí se použít prodlužovací přívod vhodný pro venkovní použití.** Používání prodlužovacího přívodu pro venkovní použití omezuje nebezpečí úrazu elektrickým proudem.
- f) **Používá-li se elektrické nářadí ve vlhkých prostorech, je nutné používat napájení chráněné proudovým chráničem (RCD).** Používání RCD omezuje nebezpečí úrazu elektrickým proudem. Pojem „proudový chránič (RCD)“ může být nahrazen pojmem „hlavní jistič obvodu (GFCI)“ nebo „jistič unikajícího proudu (ELCB)“.

3. BEZPEČNOST OSOB

- a) **Při používání elektrického nářadí musí být obsluha pozorná, musí se věnovat tomu, co právě dělá, a musí se soustředit a střídavě uvažovat. Elektrické nářadí se nesmí**

používat, je-li obsluha unavena nebo pod vlivem drog, alkoholu nebo léků. Chvilková nepozornost při používání elektrického nářadí může vést k vážnému poranění osob.

- b) **Používat osobní ochranné pracovní prostředky. Vždy používat ochranu očí.** Ochranné pomůcky jako např. respirátor, bezpečnostní obuv s protiskluzovou úpravou, tvrdá pokrývka hlavy nebo ochrana sluchu, používané v souladu s podmínkami práce, snižují nebezpečí poranění osob.
- c) **Je nutno vyvarovat se neúmyslnému spuštění stroje. Je nutno se ujistit, že je spínač před zapojením vidlice do zásuvky a/nebo při připojování bateriové soupravy, zvedáním či přenášením nářadí v poloze vypnuto.** Přenášení nářadí s prstem na spínači nebo zapojování vidlice nářadí se zapnutým spínačem může být příčinou nehod.
- d) **Před zapnutím nářadí je nutno odstranit všechny seřizovací nástroje nebo klíče.** Seřizovací nástroj nebo klíč, který zůstane připevněn k otáčející se části elektrického nářadí, může být příčinou poranění osob.
- e) **Obsluha musí pracovat jen tam, kam bezpečně dosáhne. Obsluha musí vždy udržovat stabilní postoj a rovnováhu.** To umožní lepší kontrolu nad elektrickým nářadím v nepředvídaných situacích.
- f) **Oblékat se vhodným způsobem. Nenosit volné oděvy ani šperky. Obsluha musí dbát, aby měla vlasy a oděv dostatečně daleko od pohyblivých částí.** Volné oděvy, šperky a dlouhé vlasy mohou být zachyceny pohybujícími se částmi.
- g) **Jsou-li k dispozici prostředky pro připojení zařízení k odsávání a sběru prachu, je nutno zajistit, aby se taková zařízení připojila a správně používala.** Použití těchto zařízení může omezit nebezpečí způsobená vznikajícím prachem.
- h) **Obsluha nesmí dopustit, aby se kvůli rutině, která vychází z častého používání nářadí, stala samolibou a začala ignorovat zásady bezpečnosti nářadí.** Neopatrná činnost může ve zlomku vteřiny způsobit závažné poranění.

4. POUŽÍVÁNÍ A ÚDRŽBA BATERIOVÉHO NÁŘADÍ

- a) **Elektrické nářadí se nesmí přetěžovat. Je nutné používat správné elektrické nářadí, které je určeno pro prováděnou práci.** Správné elektrické nářadí bude lépe a bezpečněji vykonávat práci, pro kterou bylo konstruováno.
- b) **Nesmí se používat elektrické nářadí, které nelze zapnout a vypnout spínačem.** Jakékoliv elektrické nářadí, které nelze ovládat spínačem, je nebezpečné a musí být opraveno.
- c) **Před jakýmkoliv seřizováním, výměnou příslušenství nebo před uskladněním elektrického nářadí je nutno vytáhnout vidlici ze síťové zásuvky a/nebo odejmout bateriovou soupravu z elektrického nářadí, je-li odnímatelná.** Tato preventivní bezpečnostní opatření omezují nebezpečí nahodilého spuštění elektrického nářadí.
- d) **Nepoužívané elektrické nářadí je nutno skladovat mimo dosah dětí a nesmí se dovolit osobám, které nebyly seznámeny s elektrickým nářadím nebo s těmito pokyny, aby nářadí používaly.** Elektrické nářadí je v rukou nezkušených uživatelů nebezpečné.
- e) **Elektrické nářadí a příslušenství je nutno udržovat. Je třeba kontrolovat seřízení pohybujících se částí a jejich pohyblivost, soustředit se na praskliny, zlomené součásti a jakékoliv další okolnosti, které mohou ohrozit funkci elektrického nářadí. Je-li nářadí poškozeno, před dalším použitím je nutno zajistit jeho opravu.** Mnoho nehod je způsobeno nedostatečně udržovaným elektrickým nářadím.
- f) **Řezací nástroje je nutno udržovat ostré a čisté.** Správně udržované a naostřené řezací nástroje s menší pravděpodobností zachytí za materiál nebo se zablokují a práce s nimi se snáze kontroluje.
- g) **Elektrické nářadí, příslušenství, pracovní nástroje atd. je nutno používat v souladu s těmito pokyny a takovým způsobem, jaký byl předepsán pro konkrétní elektrické nářadí, a to s ohledem na dané podmínky práce a druh prováděné práce.** Používání

elektrického nářadí k provádění jiných činností, než pro jaké bylo určeno, může vést k nebezpečným situacím.

- h) **Rukojeti a úchopové povrchy je nutno udržovat suché, čisté a bez mastnot.** Kluzké rukojeti a úchopové povrchy neumožňují v neočekávaných situacích bezpečné držení a kontrolu nářadí.

5. POUŽÍVÁNÍ A ÚDRŽBA BATERIOVÉHO NÁŘADÍ

- a) **Nářadí nabíjejte pouze nabíječem, který je určen výrobcem.** Nabíječ, který může být vhodný pro jeden typ bateriové soupravy, může být při použití s jinou bateriovou soupravou příčinou nebezpečí požáru.
- b) **Nářadí používejte pouze s bateriovou soupravou, která je výslovně určena pro dané nářadí.** Používání jakýchkoli jiných bateriových souprav může být příčinou nebezpečí úrazu nebo požáru.
- c) **Není-li bateriová souprava právě používána, chraňte ji před stykem s jinými kovovými předměty jako jsou kancelářské sponky, mince, klíče, hřebíky, šrouby, nebo jiné malé kovové předměty, které mohou způsobit spojení jednoho kontaktu baterie s druhým.** Zkratování kontaktů baterie může způsobit popáleniny nebo požár.
- d) **Při nesprávném používání mohou z baterie unikat tekutiny; vyvarujte se kontaktu s nimi. Dojde-li k náhodnému styku s těmito tekutinami, opláchněte postižené místo vodou. Dostane-li se tekutina do oka, vyhledejte navíc lékařskou pomoc.** Tekutiny unikající z baterie mohou způsobit záněty nebo popáleniny.
- e) **Bateriová souprava nebo nářadí, které je poškozeno nebo přestavěno, se nesmí používat.** Poškozené nebo upravené akumulátory se mohou chovat nepředvídatelně, které může mít za následek oheň, výbuch nebo nebezpečí úrazu.
- f) **Bateriové soupravy nebo nářadí se nesmí vystavovat ohni nebo nadměrné teplotě.** Vystavení ohni nebo teplotě vyšší než 130 °C může způsobit výbuch.
- g) **Je nutno dodržovat všechny pokyny nabíjení a nenabíjet bateriovou soupravu nebo nářadí mimo teplotní rozsah, který je uveden v návodu k používání.** Nesprávné nabíjení nebo nabíjení při teplotách, které jsou mimo uvedený rozsah, mohou poškodit baterii a zvýšit riziko požáru.

6. SERVIS

- a) **Opravy vašeho bateriového nářadí svěřte kvalifikované osobě, které bude používat identické náhradní díly.** Tímto způsobem bude zajištěna stejná úroveň bezpečnosti nářadí jako před opravou.
- a) **Poškozené bateriové soupravy se nesmí nikdy opravovat.** Oprava bateriových souprav by měla být prováděna pouze u výrobce nebo v autorizovaném servisu.

Bezpečnostní pokyny pro nabíječku



- Nabíječku chraňte před deštěm a vlhkem. Nabíječku lze používat pouze v uzavřených prostorech.
- Nabíječka je určena k nabíjení pouze akumulátoru dodávaného k tomuto aku nářadí a žádných jiných akumulátorů. Při nabíjení jiných akumulátorů, než ke kterým je nabíječka určena, může dojít k požáru či výbuchu.
- Udržujte nabíječku čistou.
- Před každým použitím nabíječky zkontrolujte, zda je v pořádku, včetně přívodního kabelu.
- Nabíječku neprovozujte na snadno vznětlivých předmětech a podkladech (např. na papíře) či v prostředí s výbušnou a/nebo hořlavou atmosférou.
- Při nabíjení vždy zajistíte dostatečné větrání, neboť může dojít k úniku par či elektrolytu z

akumulátoru, je-li akumulátor poškozen v důsledku špatného zacházení/poškození.

- Nabíječku neprovazujte na snadno vznětlivých předmětech a podkladech (např. na papíře) či v prostředí s výbušnou a/nebo hořlavou atmosférou.
- Při nabíjení vždy zajistěte dostatečné větrání, neboť může dojít k úniku par či elektrolytu z akumulátoru, je-li akumulátor poškozen v důsledku špatného zacházení/poškození.
- Po ukončení nabíjení nabíječku odpojte od zdroje el. proudu, nenechávejte ji připojenou k napětí déle, než je nutné.
- Zamezte používání nabíječky osobám (včetně dětí), jimž fyzická, smyslová nebo mentální neschopnost či nedostatek zkušeností a znalostí zabraňuje v bezpečném používání spotřebiče bez dozoru nebo poučení. Děti si se spotřebičem nesmějí hrát. Obecně se nebere v úvahu používání přístroje velmi malými dětmi (věk 0-3 roky včetně) a používání mladšími dětmi bez dozoru (věk nad 3 roky pod 8 let). Připouští se, že těžce hendikepovaní lidé mohou mít potřeby mimo úroveň stanovenou touto normou (EN 60335).

Bezpečnostní pokyny pro akumulátor

- Akumulátor skladujte a nabíjejte v suchém prostředí a dbejte na to, aby se do nich nedostala voda.
- Nikdy akumulátor nevystavujte přímému slunečnímu záření a teplotám vyšším než 50 °C.
- Akumulátor nabíjejte jen po dobu potřebnou k nabíjení viz. signalizace kontrolkou na nabíječi.
- Konektory akumulátoru udržujte čisté a chraňte je před zanesením, deformací a před zkratováním.
- Akumulátor chraňte před nárazy, vlhkostí a nikdy akumulátor neotvírejte či mechanicky nepoškozujte.
- Akumulátor nikdy nespalujte, nevhazujte do vody či životního prostředí, ale odevzdejte jej k ekologické likvidaci.
- Pokud dojde k poškození akumulátoru a úniku elektrolytu v důsledku špatného zacházení s akumulátorem, vyhněte se kontaktu s pokožkou. Dojde-li k potřísnění pokožky, důkladně ji umyjte vodou. Tekutiny unikající z baterie mohou způsobit záněty, popáleniny nebo poleptání. V případě zasažení očí je důkladně vypláchněte čistou vodou a ihned konzultujte s lékařem, v případě požití ihned konzultujte s lékařem ohledně postupu.

Skladování

- Aku nářadí skladujte na suchém místě mimo dosah dětí. Před uskladněním aku nářadí z něho z bezpečnostních důvodů akumulátor vyjměte. Je-li akumulátor zasunutý v aku nářadí, dochází k jeho rychlejšímu vybití. Akumulátor a nářadí chraňte před mrazem, vysokými teplotami, vlhkem a vodou.

Význam symbolů na štítcích



	Před použitím si přečtěte návod k použití.
	Používejte certifikovanou ochranu zraku a sluchu s dostatečnou úrovní ochrany.
	Používejte certifikovanou ochranu dýchacích cest s dostatečnou úrovní ochrany.
	Odpovídá příslušným požadavkům EU.
	Zařízení druhé třídy ochrany. Dvojitá izolace.
	Nabíječka je určena pro použití pouze v interiéru. Nutno chránit před deštěm a vlhkem.
	Stejnoseměrný proud/napětí.
	Zásuvka určena pro nabíjení akumulátoru stejnosměrným proudem.
	Pojistka s uvedením proudové hodnoty v A.
	Pozor, výstraha, řiďte se instrukcemi.
	Zpětný sběr baterií, viz dále.
	Elektroodpad, viz dále
	Akumulátor nevystavujte přímému slunečnímu záření a teplotám vyšším než 50 °C.
	Akumulátor nevhazujte do vody a nevyhazujte jej do životního prostředí.
	Akumulátor nespalujte.

SN	Sériové číslo zahrnující rok, měsíc výroby, číslo série
----	--

Likvidace odpadu

OBALY

- Obaly vyhodte do příslušného kontejneru na tříděný odpad.

AKU NÁŘADÍ



Podle evropské směrnice (EU) 2012/19 se elektrická a elektronická zařízení nesmějí vyhazovat do směsného odpadu, ale je nezbytné je odevzdat k ekologické likvidaci do zpětného sběru elektrozařízení na k tomu určená sběrná místa. Před odevzdáním aku nářadí z něj odejměte akumulátor, který je nutné odevzdat k ekologické likvidaci baterií samostatně (odděleně). Informace o sběrných místech obdržíte na obecním úřadě.

AKUMULÁTOR



Akumulátor obsahuje náplně, které jsou nebezpečné pro životní prostředí, proto jej odevzdejte k ekologické recyklaci / likvidaci do zpětného sběru akumulátorů. Podle evropské směrnice o akumulátorech a bateriích 2006/66 EC nesmí být nepoužitelné akumulátory vyhozeny do směsného odpadu či životního prostředí. Informace o sběrných místech obdržíte na obecním úřadě.

Záruční lhůta a podmínky (práva z vadného plnění)

- Požádá-li o to kupující, je prodávající povinen kupujícímu poskytnout záruční podmínky (práva z vadného plnění) v písemné formě dle zákona.

ZÁRUČNÍ A POZÁRUČNÍ SERVIS

Pro uplatnění práva na záruční opravu zboží se obraťte na obchodníka, u kterého jste zboží zakoupili.

EU Prohlášení o shodě

Výrobce Levior s.r.o. • Tovačovská 3488, CZ-750 02 Přerov prohlašuje, že následně označená zařízení na základě své koncepce a konstrukce, stejně jako na trh uvedená provedení, odpovídají níže uvedeným požadavkům Evropské unie. Toto prohlášení se vydává na výhradní odpovědnost výrobce.

Předměty prohlášení-identifikace výrobků:

Aku rázový utahovák:

28021 Aku rázový utahovák

jsou ve shodě s následujícími harmonizovanými normami včetně jejich pozměňujících příloh, pokud existují, na jejichž základě se shoda prohlašuje s dále uvedenými harmonizačními předpisy:

2006/42 ES:

EN 62841-1:2015, EN 62841-2-1:2018, EN 62841-1:2015, EN 62841-2-2:2014 aku vrtačky; EN 62841-1:2015, EN 62841-2-2:2014 aku rázový utahovák; EN 60745-1:2009, EN 60745-2-6:2010 vrtací kladivo; EN 60745-1:2009, EN 60745-2-3:2011 úhlová bruska; EN 62841-1:2015, EN 62841-2-4:2014 multifunkční oscilační nářadí; EN 62841-1:2015, EN 62841-2-5:2014 kotoučová pila; EN 62841-1:2015, EN 62841-2-4:2014 excentrická bruska; EN 60745-1:2009/A11:2010, EN 60745-2-16:2010 hřebíkovačka / sponkovačka; EN 62841-1:2015, EN 62841-2-11:2016 pila ocaska; EN 62841-1:2015, EN 62841-2-11:2016 přímočará pila; EN 60598-2-5:2015 použitá ve spojení s EN 60598-1:2015, doložka 9.2 led světlo; EN 62841-2015, EN 62841-2-2:2014 aku rázový utahovák.

(EU) 2014/35:

EN 60335-1:2012, EN 60335-2-29:2004; EN 62233:2008 nabíječky

(EU) 2014/30:

EN 55014-1:2006 do 28.4.2020/ poté EN 55014-1:2017; EN 55014-2:1997 do 25.3.2018/ poté dle EN 55014-2:2015; pro nabíječky ještě: EN 61000-3-2:2014; EN 61000-3-3:2013;

(EU) 2011/65: EN 50581:2012

EN 62133:2013 do 14.3.2020/poté EN 62133:2017, UN 38.3 akumulátor

Kompletaci technické dokumentace 2006/42 ES a 2000/14 ES provedl Ondřej Marek se sídlem na adrese výrobce.

Technická dokumentace (2006/42 ES, 2000/14 ES) je dostupná na adrese výrobce.

Místo a datum vydání EU prohlášení o shodě: Přerov, 3.3.2021

Osoba oprávněná vypracováním EU prohlášení o shodě jménem výrobce

(podpis, jméno, funkce):

 **LEVIOR** s.r.o.®

Tovačovská 3488/28, 750 02 Přerov
IČO 61973939 DIČ CZ61973939
tel.: 581 746 256-8, fax: 581 746 255



Ondřej Marek

jednatel společnosti Levior s.r.o.

Návod na použitie

Číslo položky: 28021



Pred použitím si pozorne prečítajte tento manuál.

Tento manuál bol preložený z originálu.



Technické údaje

Názov	Aku rázový ťahovák
Otáčky bez zaťaženia	0-2000min ⁻¹
Počet rázov	0-3000bpm
Krútiaci moment	150Nm
Max. napätie akumulátora	20V
Unášač nástroje	1/4"
Hmotnosť bez batérie	1,2kg
Krytie	IPX0
Hladina akustického tlaku; neistota K	LpA= 92dB(A), K= 3dB(A)
Hladina akustického výkonu; neistota K	LwA= 103dB(A), K= 3dB(A)
Max. celková hodnota vibrácií; neistota K	a _{h,D} =15,9 m/s ² ; K= 1,5m/s ²

Súčasti a ovládacie prvky



- 1) Prevádzkový spínač
- 2) Unášač nástroje
- 3) Prepínač smeru otáčania
- 4) Rukoväť
- 5) Háčik pre zavesenie
- 6) Akumulátor
- 7) Tlačidlo pre odistenie akumulátora
- 8) LED kontrolka pre osvetlenie pracovného miesta

Nabíjanie akumulátora

PRIBLIŽNÉ DOBY NABÍJANIA AKUMULÁTORŮ NABÍJAČKAMI	
4000 mAh	
4 A rýchlonabíjačka (28086)	55 min.
2,4 A rýchlonabíjačka (28085)	90 min.
2000 mAh	
4 A rýchlonabíjačka (28086)	30 min.
2,4 A rýchlonabíjačka (28085)	45 min.

UPOZORNENIE

Pred prípravou aku náradia na použitie a jeho použitím si prečítajte celý návod na použitie a nechajte ho priložený pri výrobku, aby sa s ním obsluha mohla oboznámiť.

Ak výrobok komukoľvek požičiavate alebo ho predávate, priložte k nemu aj tento návod na použitie. Zabráňte poškodenie tohto návodu. Výrobca nenesie zodpovednosť za škody či zranenia vzniknutá používaním prístroja, ktoré je v rozpore s týmto návodom. Pred použitím prístroja sa zoznámte so všetkými jeho ovládacími prvkami a komponentmi a tiež sa spôsobom vypnutie prístroja, aby ste ho mohli ihneď vypnúť v prípade nebezpečnej situácie. Pred použitím skontrolujte pevné upevnenie všetkých súčastí a skontrolujte, či nejaká časť prístroja ako napr. Bezpečnostní ochranné prvky nie sú poškodené, či zle nainštalované alebo či nechýba na svojom mieste. Toto platí aj pre nabíjačku i jej prívodný kábel. Ak sú aku náradie, akumulátor alebo nabíjačka poškodené, alebo ak nie sú kompletne, nepoužívajte ich a zaistite ich opravu či náhradu za originálne diely.

Na overenie úrovne nabitia akumulátora stlačte tlačidlo na akumulátora a podľa počtu svietiacich diód a predpokladanej dobe prevádzky aku náradia akumulátor v prípade potreby dobite. Ak je akumulátor plne nabitý, svietia všetky LED diódy. Akumulátor možno nabiť z akejkolvek úrovne nabitia, bez toho aby sa tým znižovala jeho kapacita.

- 1. Akumulátor najprv zasunúť do drážok dodávané nabíjačky.**
- 2. Pred pripojením nabíjačky k zdroju el. prúdu skontrolujte, či napätie v zásuvke zodpovedá rozmedzí 220-240 ~ 50 Hz a či nabíjačka nemá poškodený prívodný kábel (napr. izoláciu) či kryt alebo inú časť.**

Ak je nabíjačka poškodená, zaistite jej náhradu za bezvadnou originálnou od výrobcu. Na nabíjanie akumulátora musí byť použitá len originálne nabíjačka od výrobcu, inak použitia inej nabíjačky môže spôsobiť požiar či výbuch v dôsledku nevhodných nabíjajúcich parametrov. Napájací kábel nabíjačky chráňte pred poškodením.

- 3. Nabíjačku pripojte k zdroju el. prúdu.**

Pre nabíjačky 28085/28086

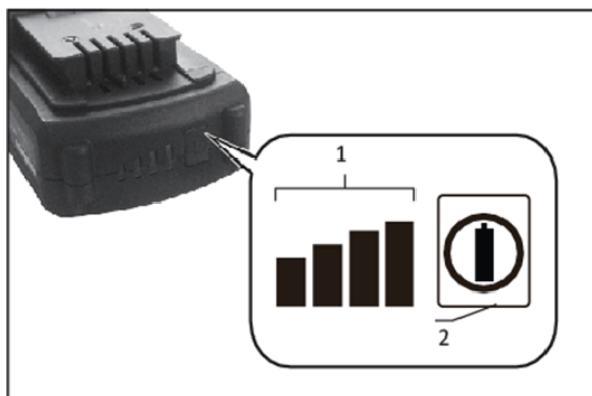
- proces nabíjania je indikovaný zelenou blikajúca LED vedľa červenej LED.
- plné nabitie je indikované len rozsvietením zelenej LED.
- neobvyklý / zlý proces nabíjania je indikovaný zelenou a červenou blikajúce LED.
- Úroveň nabitia batérie možno sledovať podľa počtu rozsvietených LED diód na batériu, ktoré sa rozsvietia pri nabíjaní.

Právo na zmenu vyššie uvedenej signalizácie procesu nabíjania a nabitie vyhradené.

- 4. Po nabití najprv odpojte nabíjačku od zdroja el. prúdu a potom z drážok nabíjačky vysuňte akumulátor po stlačení a pridržení tlačidla na akumulátore.**

Popis funkcií batérie

Zobrazenie zostávajúcej kapacity batérie



1. Kontrolky 2. Kontrolné tlačidlo

Kontrolky			Zostávajúca kapacita
Svieti	Nesvieti	Bliká	
■	■	■	75% až 100%
■	■	□	50% až 75%
■	□	□	25% až 50%
■	□	□	0% až 25%
▬	□	□	Nabíja batériu

Upevnenie alebo vybratie batérie

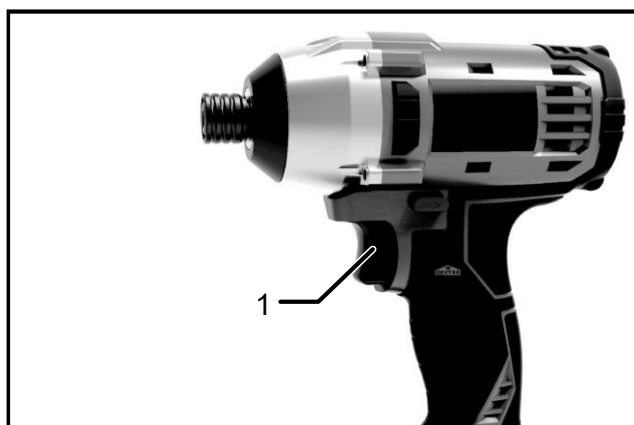


1. Tlačidlo
2. Batéria

Použitie

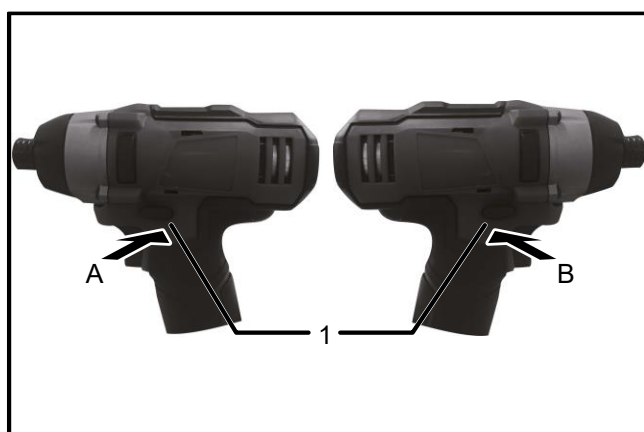
- Do aku náradia vždy používajte nástroje v bezchybnom stave.
- Ak počas chodu prístroja bude neštandardný zvuk, vibrácie či chod, prístroj okamžite vypnite, vyberte akumulátor a zistite a odstráňte príčinu neštandardného chodu. Ak je neštandardný chod spôsobený závadou vnútri prístroja, zaistite jeho opravu a autorizovanom servise.

Funkcie spínača



► 1. Spínacie tlačidlo

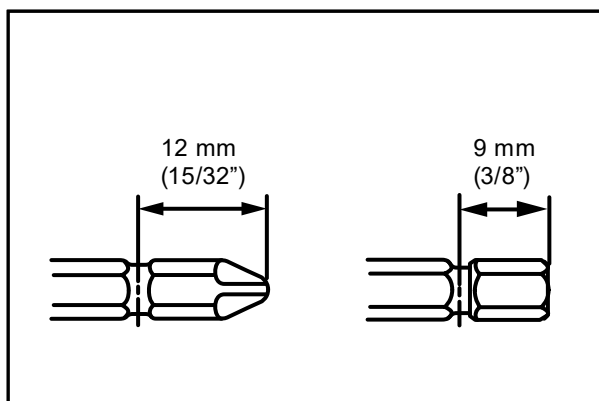
Přepínání smeru otáčok



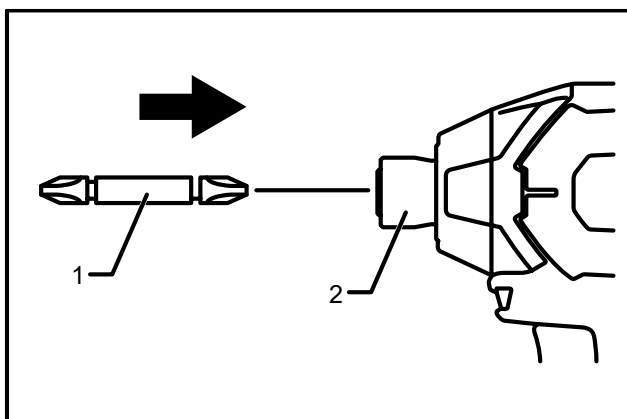
1. Prepínanie spätného chodu

- Tento prístroj je vybavený prepínačom pre zmenu smeru otáčania. Stlačte prepínač spätného chodu zo strany A pre otáčanie v smere hodinových ručičiek, alebo zo strany B pre otáčanie proti smeru hodinových ručičiek
- Ak je prepínač v neutrálnej polohe, nedá stlačiť spínač.

Inštalácia alebo vybratie skrutkovacích bitov / nástrčných bitov

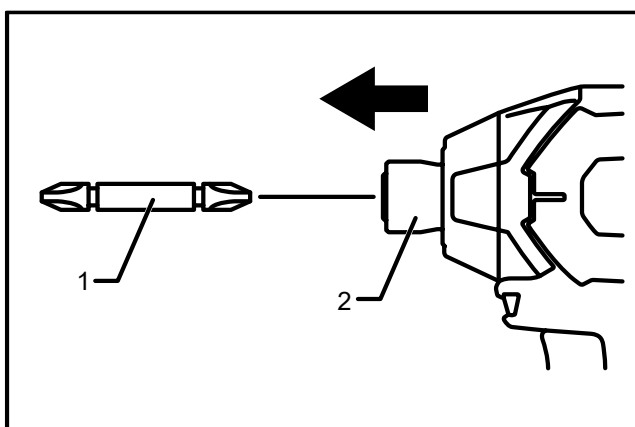


- Používajte skrutkovacie bity / nástrčné bity, ktoré sú znázornené na tomto obrázku.



1. Bit 2. Objímka

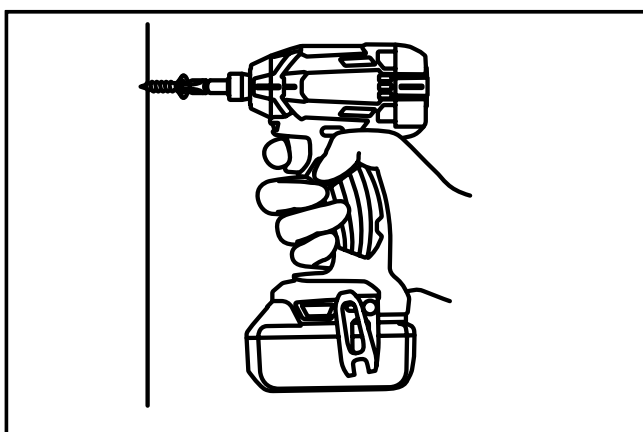
- Ak chcete upevniť bit do prístroja, zasuňte ho čo najďalej do objímky.



1. Bit 2. Objímka

- Ak chcete bit vybrať, povytiahnite objímku v smere šípky a bit vyberte.

Obsluha



- Vložte bit do hlavy prístroja, skontrolujte, či je správne upevnený. Držte prístroj pevne a uveďte ho do chodu.

- Uťahovací moment je ovplyvnený celým radom faktorov, vrátane nasledujúcich. Po upevnení vždy skontrolujte moment momentovým kľúčom.
1. Ak je akumulátor takmer vybitý, napätie klesne a uťahovací moment sa zníži.
 2. Ak nepoužijete správny rozmer budiaceho alebo bitového nástavce, spôsobí to zníženie uťahovacieho momentu.
 3. Skrutka
 - Aj keď sú momentový koeficient a trieda skrutky rovnaké, správny uťahovací moment sa bude líšiť podľa priemeru skrutky.
 - Aj keď sú priemery skrutiek rovnaké, správny uťahovací moment sa bude líšiť podľa momentového koeficientu, triedy skrutky a dĺžky skrutky.
 4. Spôsob uchytenia nástroja alebo materiálu v upevnené polohe vodiča ovplyvní krútiaci moment.
 5. Práca s nástrojom pri nízkych otáčkach spôsobí zníženie uťahovacieho momentu.

Bezpečnostné pokyny

1. Bezpečnostné pokyny pre všetky pracovné činnosti

- Pri vŕtaní s príklepom je nutné používať ochranu sluchu. Vystavenie hluku môže spôsobiť stratu sluchu.
- Je potrebné používať prídavnú rukoväť. Strata kontroly môže spôsobiť poranenie osôb. Poznámka: Vyššie uvedené varovanie platí len pre náradie dodávané s prídavnou rukoväťou.
- Pri vykonávaní činnosti, kde sa obrábacie (pracovný) nástroj môže dotknúť skrytého vedenia alebo svojho vlastného prívodu, držte elektromechanické náradie za úchopovej izolované povrchy. Dotyk obrábacieho nástroja sa "živým" vodičom môže spôsobiť, že sa neizolované kovové časti elektromechanického náradia stanú živými a môžu viesť k úrazu užívateľa elektrickým prúdom.

2. Bezpečnostné pokyny v prípade použitia dluhých vrtákov

- Nikdy nepoužívajte stroj na vyššie otáčky, než sú maximálne menovité otáčky vrtáku.
- Pri vyšších otáčkach je pravdepodobné, že sa vrták ohne, ak sa nechá točiť voľne bez toho, aby bol v kontakte s obrobkom, čo môže viesť k poraneniu osôb. Na začiatku vŕtania je nutné mať vždy nízke otáčky a špička vrtáku sa musí dotýkať obrobku.
- Je nutné tlačiť iba v priamom smere s vrtákom a nesmie sa pôsobiť nadmerným tlakom. Vrtáky sa môžu ohnúť, a môžu prasknúť alebo spôsobiť stratu kontroly, čo môže viesť k poraneniu osôb.
- V prípade použitia, pri ktorom vzniká značné množstvo prachu ako je príklepové vŕtanie, sekание do muriva, vŕtanie s diamantovým vrtákom, používajte na odsávanie prachu priemyselný vysávač prachu.
- Na odsávanie prachu nepoužívajte upratovací vysávač. Vdychovanie prachu je zdraviu škodlivé. Pri práci zaistíte dostatočné odvetrávanie priestoru.
- Pri práci používajte certifikovanú ochranu zraku, sluchu a dýchacích ciest s dostatočnou úrovňou ochrany. O dostatočnej úrovni ochrany sa poraďte v obchode s osobnými ochrannými prostriedkami.

Obecné bezpečnostné pokyny pre elektrické náradie

VÝSTRAHA!

Je nutné prečítať všetky bezpečnostné pokyny, návod na používanie, obrázky a predpisy dodané s týmto náradím. Nedodržanie všetkých nasledujúcich pokynov môže viesť k úrazu elektrickým prúdom, ku vzniku požiaru a / alebo k vážnemu zraneniu osôb.

Všetky pokyny a návod na používanie sa musí uschovať, aby bolo možné do nich neskôr nahliadnuť.

Výrazom "elektrické náradie" vo všetkých ďalej uvedených výstražných pokynoch je myslené elektrické náradie napájané (pohyblivým prívodom) zo siete, alebo elektrické náradie napájané z batérií (bez pohyblivého prívodu).

1. BEZPEČNOSŤ PRACOVNÉHO PROSTREDIA

- a) **Pracovisko je nutné udržiavať v čistote a dobre osvetlené.** Neporiadok a tmavé priestory bývajú príčinou nehôd.
- b) **Elektrické náradie sa nesmie používať v prostredí s nebezpečenstvom výbuchu, kde sa vyskytujú horľavé kvapaliny, plyny alebo prach.** V elektrickom náradí vznikajú iskry, ktoré môžu zapáliť prach alebo výpary.
- c) **Pri použití elektrického náradia je nutné zamedziť prístupu detí a ďalších osôb.** Ak bude obsluha vyrušovaná, môže stratiť kontrolu nad vykonávanou činnosťou.

2. ELEKTRICKÁ BEZPEČNOSŤ

- a) **Vidlica pohyblivého prívodu elektrického náradia musí zodpovedať siet'ovej zásuvke.** Vidlica sa nesmie nikdy akýmkoľvek spôsobom upravovať. S náradím, ktoré má ochranné spojenie so zemou, sa nesmú používať žiadne zásuvkové adaptéry. Vidlica, ktoré nie sú znehodnotenú úpravami a zodpovedajúce zásuvky obmedzia nebezpečenstvo úrazu elektrickým prúdom.
- b) **Obsluha sa nesmie telom dotýkať uzemnených predmetov, ako napr. potrubie, telesá ústredného kúrenia, sporáky a chladničky.** Nebezpečenstvo úrazu elektrickým prúdom je väčšie, ak je vaše telo spojené so zemou.
- c) **Elektrické náradie sa nesmie vystavovať dažďu, vlhku alebo mokru.** Ak vnikne do elektrického náradia voda, zvyšuje sa nebezpečenstvo úrazu elektrickým prúdom.
- d) **Pohyblivý prívod sa nesmie používať na iné účely.** Elektrické náradie sa nesmie nosiť alebo ťahať za prívod, ani sa nesmie ťahom za prívod odpájať vidlice zo zásuvky. Prívod je nutné chrániť pred horúčavou, mastnotou, ostrými hranami alebo pohyblivými časťami. Poškodené alebo zamotané prívody zvyšujú nebezpečenstvo úrazu elektrickým prúdom.
- e) **Ak je elektrické náradie používané vonku, musí sa použiť predlžovací prívod vhodný pre vonkajšie použitie.** Používanie predlžovacieho prívodu pre vonkajšie použitie obmedzuje nebezpečenstvo úrazu elektrickým prúdom.
- f) **Ak používa sa elektrické náradie vo vlhkých priestoroch, je nutné používať napájanie chránené prúdovým chráničom (RCD).** Používanie RCD obmedzuje nebezpečenstvo úrazu elektrickým prúdom. Pojem "prúdový chránič (RCD)" môže byť nahradený pojmom "hlavný istič obvodu (GFCI)" alebo "istič unikajúceho prúdu (ELCB)".

3. BEZPEČNOSŤ OSÔB

- a) **Pri používaní elektrického náradia musí byť obsluha pozorná, musí sa venovať tomu,**

čo práve robí, a musí sa sústrediť a triezvo uvažovať. Elektrické náradie sa nesmie používať, ak je obsluha unavená alebo pod vplyvom drog, alkoholu alebo liekov. Chvilková nepozornosť pri používaní elektrického náradia môže viesť k vážnemu poraneniu osôb.

- b) **Používať osobné ochranné pracovné prostriedky. Vždy používať ochranu očí.** Ochranné pomôcky ako napr. Respirátor, bezpečnostná obuv s protišmykovou úpravou, tvrdá pokrývka hlavy alebo ochrana sluchu, používané v súlade s podmienkami práce, znižujú nebezpečenstvo poranenia osôb.
- c) **Je nutné vyvarovať sa neúmyselnému spusteniu stroja. Je nutné sa uistiť, že je spínač pred zapojením vidlice do zásuvky a / alebo pri pripájaní batérové súpravy, zdvíhaním či prenášaním náradia v polohe vypnuté.** Prenášanie náradia s prstom na vypínači alebo zapájanie vidlice náradia so zapnutým spínačom môže byť príčinou nehôd.
- d) **Pred zapnutím náradia je nutné odstrániť všetky nastavovacie nástroje alebo kľúče.** Nastavovacie nástroj alebo kľúč, ktorý zostane pripevnený k otáčajúcej sa časti elektrického náradia, môže byť príčinou poranenia osôb.
- e) **Obsluha musí pracovať len tam, kam bezpečne dosiahne. Obsluha musí vždy udržiavať stabilný postoj a rovnováhu.** To umožní lepšiu kontrolu nad elektrickým náradím v nepredvídaných situáciách.
- f) **Obliekať sa vhodným spôsobom. Nenosiť voľné odevy ani šperky. Obsluha musí dbať, aby mala vlasy a odev dostatočne ďaleko od pohyblivých častí.** Voľné odevy, šperky a dlhé vlasy môžu byť zachytené pohybujúcimi sa časťami.
- g) **Ak sú k dispozícii prostriedky pre pripojenie zariadenia na odsávanie a zber prachu, je potrebné zabezpečiť, aby sa takéto zariadenia pripojila a správne používala.** Použitie týchto zariadení môže obmedziť nebezpečenstvá spôsobené vznikajúcim prachom.
- h) **Obsluha nesmie dopustiť, aby sa kvôli rutine, ktorá vychádza z častého používania náradia, stala samolúbo a začala ignorovať zásady bezpečnosti náradia.** Neopatrná činnosť môže v zlomku sekundy spôsobiť závažné poranenie.

4. POUŽÍVANIE A ÚDRŽBA BATÉRIOVÉHO NÁRADIE

- a) **Elektrické náradie sa nesmie preťažovať. Je nutné používať správne elektrické náradie, ktoré je určené pre vykonávanú prácu.** Správne elektrické náradie bude lepšie a bezpečnejšie vykonávať prácu, na ktoré bolo skonštruované.
- b) **Nesmie sa používať elektrické náradie, ktoré sa nedá zapnúť a vypnúť spínačom.** Akékoľvek elektrické náradie, ktoré nemožno ovládať spínačom, je nebezpečné a musí byť opravené.
- c) **Pred akýmkoľvek nastavením, výmenou príslušenstva alebo pred uskladnením elektrického náradia je nutné vytiahnuť vidlicu zo sieťovej zásuvky a / alebo odňať batérovú súpravu z elektrického náradia, ak je odnímateľná.** Tieto preventívne bezpečnostné opatrenia obmedzujú nebezpečenstvo náhodného spustenia elektrického náradia.
- d) **Nepoužívané elektrické náradie je nutné skladovať mimo dosahu detí a nesmie sa dovoliť osobám, ktoré neboli oboznámené s elektrickým náradím alebo s týmito pokynmi, aby náradie používali.** Elektrické náradie je v rukách neskúsených užívateľov nebezpečné.
- e) **Elektrické náradie a príslušenstvo je nutné udržiavať. Je potrebné kontrolovať nastavenie pohybujúcich sa častí a ich pohyblivosť, sústrediť sa na praskliny, zlomené súčasti a akékoľvek ďalšie okolnosti, ktoré môžu ohroziť funkciu elektrického náradia. Ak je náradie poškodené, pred ďalším použitím je nutné zaistiť jeho opravu.** Veľa nehôd je spôsobených nesprávnou údržbou náradia.
- f) **Rezacie nástroje je nutné udržiavať ostré a čisté.** Správne udržiavané a naostrené rezacie nástroje s menšou pravdepodobnosťou zachytia za materiál alebo sa zablokujú a

práca s nimi sa ľahšie kontroluje.

- g) **Elektrické náradie, príslušenstvo, pracovné nástroje atď. je nutné používať v súlade s týmito pokynmi a takým spôsobom, aký bol predpísaný pre konkrétne elektrické náradie, a to s ohľadom na dané podmienky práce a druh vykonávanej práce.** Používanie elektrického náradia na vykonávanie iných činností, než pre aké bolo určené, môže viesť k nebezpečným situáciám.
- h) **Rukoväte a úchopovej povrchy je nutné udržiavať suché, čisté a bez mastnoty.** Klzké rukoväte a úchopovej povrchy neumožňujú v neočakávaných situáciách bezpečné držanie a kontrolu náradia.

5. POUŽÍVANIE A ÚDRŽBA BATÉRIOVÉHO NÁRADIE

- a) **Náradie nabíjajte iba nabíjačkou, ktorý je určený výrobcom.** Nabíjač, ktorý môže byť vhodný pre jeden typ batérové súpravy, môže byť pri použití s inou batérovou súpravou príčinou nebezpečenstvo požiaru.
- b) **Náradie používajte iba s batérovou súpravou, ktorá je výslovne určená pre dané náradie.** Používanie akýchkoľvek iných batérových súprav môže byť príčinou nebezpečenstvo úrazu alebo požiaru.
- c) **Ak nie je batérová súprava práve nepoužíva, chráňte ju pred stykom s inými kovovými predmetmi ako sú kancelárske sponky, mince, kľúče, klince, skrutky, alebo iné malé kovové predmety, ktoré môžu spôsobiť spojenie jedného kontaktu batérie s druhým.** Skratovaniu kontaktov akumulátora môže spôsobiť popáleniny alebo požiar.
- d) **Pri nesprávnom používaní môžu z batérie unikať tekutiny; vyvarujte sa kontaktu s nimi. Ak dôjde k náhodnému styku s týmito tekutinami, opláchnite postihnuté miesto vodou. Ak sa dostane tekutina do oka, vyhľadajte navyše lekársku pomoc.** Tekutiny unikajúci z batérie môžu spôsobiť zápaly alebo popáleniny.
- e) **Batérová súprava alebo náradie, ktoré je poškodené alebo prestavané, sa nesmie používať.** Poškodené alebo upravené akumulátory sa môžu správať nepredvídateľne, ktoré môže mať za následok oheň, výbuch alebo nebezpečenstvo úrazu.
- f) **Batérové súpravy alebo náradie sa nesmie vystavovať ohňu alebo nadmerné teplote.** Vystavenie ohňu alebo teplote vyššej ako 130 ° C môže spôsobiť výbuch.
- g) **Je nutné dodržiavať všetky pokyny nabíjania a Nenabíjať batérovú súpravu alebo náradie mimo teplotný rozsah, ktorý je uvedený v návode na používanie.** Nesprávne nabíjanie alebo nabíjanie pri teplotách, ktoré sú mimo uvedený rozsah, môžu poškodiť batériu a zvýšiť riziko požiaru.

6. SERVIS

- a) **Opravy vášho batérového náradia zverte kvalifikovanej osobe, ktorá bude používať identické náhradné diely.** Týmto spôsobom bude zabezpečená rovnaká úroveň bezpečnosti náradie ako pred opravou.
- b) **Poškodené batérové súpravy sa nesmie nikdy opravovať.** Oprava batérových súprav by mala byť vykonávaná iba u výrobcu alebo v autorizovanom servise.

Bezpečnostné pokyny pre nabíjačku



- Nabíjačku chráňte pred dažďom a vlhkom. Nabíjačku je možné používať iba v uzavretých priestoroch.
- Nabíjačka je určená na nabíjanie iba akumulátora dodávaného k tomuto aku náradia a žiadnych iných akumulátorov. Pri nabíjaní iných akumulátorov, než na ktoré je nabíjačka určená, môže dôjsť k požiaru alebo výbuchu.
- Udržujte nabíjačku čistú.

- Pred každým použitím nabíjačky skontrolujte, či je v poriadku, vrátane prírodného kábla. Nabíjačku neprevádzkujte na ľahko zápalných predmetoch a podkladoch (napr. Na papieri) alebo v prostredí s výbušnou a / alebo horľavou atmosférou.
- Pri nabíjaní vždy zaistite dostatočné vetranie, pretože môže dôjsť k úniku pár či elektrolytu z akumulátora, ak je akumulátor poškodený v dôsledku zlého zaobchádzania / poškodenie.
- Nabíjačku neprevádzkujte na ľahko zápalných predmetoch a podkladoch (napr. Na papieri) alebo v prostredí s výbušnou a / alebo horľavou atmosférou.
- Pri nabíjaní vždy zaistite dostatočné vetranie, pretože môže dôjsť k úniku pár či elektrolytu z akumulátora, ak je akumulátor poškodený v dôsledku zlého zaobchádzania / poškodenie.
- Po ukončení nabíjania nabíjačku odpojte od zdroja el. proudu, nenechávajte ju pripojenú k napätiu dlhšie, než je nutné.
- Zabráňte používaniu nabíjačky osobám (vrátane detí), ktorým fyzická, zmyslová alebo mentálna neschopnosť či nedostatok skúseností a znalostí zabraňuje v bezpečnom používaní spotrebiča bez dozoru alebo poučenia. Deti sa so spotrebičom nesmú hrať. Všeobecne sa neberie do úvahy používanie prístroja veľmi malými deťmi (vek 0-3 roky vrátane) a používanie mladšími deťmi bez dozoru (vek nad 3 roky pod 8 rokov). Pripúšťa sa, že ťažko hendikepovaní ľudia môžu mať potreby mimo úroveň stanovenú touto normou (EN 60335).

Bezpečnostné pokyny pre akumulátor

- Akumulátor skladujte a nabíjajte v suchom prostredí a dbajte na to, aby sa do nich nedostala voda.
- Nikdy akumulátor nevystavujte priamemu slnečnému žiareniu a teplotám vyšším ako 50 ° C.
- Akumulátor nabíjajte len po dobu potrebnú na nabíjanie vid'. signalizácia kontrolkou na nabíjačke.
- Konektory akumulátora udržiavajte čisté a chráňte ich pred zanesením, deformáciou a pred skratovaním.
- Akumulátor chráňte pred nárazmi, vlhkosťou a nikdy akumulátor neotvárajte či mechanicky nepoškodzujte.
- Akumulátor nikdy nespálujte, nehádzte do vody alebo životného prostredia, ale odovzdajte ho k ekologickej likvidácii.

Ak dôjde k poškodeniu akumulátora a úniku elektrolytu v dôsledku zlého zaobchádzania s akumulátorom, vyhnite sa kontaktu s pokožkou. Ak dôjde k zasiahnutiu pokožky, dôkladne ju umyte vodou. Tekutiny unikajúce z batérie môžu spôsobiť zápaly, popáleniny alebo poleptanie. V prípade zasiahnutia očí ich dôkladne vypláchnite čistou vodou a ihneď konzultujte s lekárom, v prípade požitia ihneď konzultujte s lekárom ohľadom postupu.

Skladovanie

- Aku náradí skladujte na suchom mieste mimo dosah detí. Před uskladněním aku náradí z něho z bezpečnostních důvodů akumulátor vyjměte. Je-li akumulátor zasunutý v aku náradí, dochází k jeho rychlejšímu vybíjení. Akumulátor a náradí chraňte před mrazem, vysokými teplotami, vlhkem a vodou.

Význam symbolov na štítkoch



	Pred použitím si prečítajte návod na použitie.
	Používajte certifikovanú ochranu zraku a sluchu s dostatočnou úrovňou ochrany.
	Používajte certifikovanú ochranu dýchacích ciest s dostatočnou úrovňou ochrany.
	Zodpovedá príslušným požiadavkám EÚ.
	Zariadenie druhej triedy ochrany. Dvojitá izolácia.
	Nabíjačka je určená na použitie len v interiéri. Nutné chrániť pred dažďom a vlhkom.
	Jednosmerný prúd/napätie.
	Zásuvka určená pre nabíjanie akumulátora jednosmerným prúdom.
	Poistka s uvedením prúdovej hodnoty v A.
	Pozor, výstraha, riadte sa inštrukciami.
	Spätný zber batérií, viz ďalej.
	Elektroodpad, viz ďalej.
	Akumulátor nevystavujte priamemu slnečnému žiareniu a teplotám vyšším ako 50 °C.
	Akumulátor nevhadzujte do vody a nevyhadzujte ho do životného prostredia.
	Akumulátor nespáľujte.

SN	Sériové číslo zahŕňajúce rok, mesiac výroby, číslo série
-----------	---

Likvidácia odpadu

OBALY

- Obaly vyhodte do príslušného kontajnera na triedený odpad.

AKU NÁRADIE



Podľa európskej smernice (EÚ) 2012/19 sa elektrické a elektronické zariadenia nesmú vyhadzovať do zmiešaného odpadu, ale je nevyhnutné ich odovzdať na ekologickú likvidáciu do spätného zberu elektroodpadu na k tomu určené zberné miesta. Pred odovzdaním aku náradia z neho odoberte akumulátor, ktorý je nutné odovzdať k ekologickej likvidácii batérií samostatne (oddelene). Informácie o zberných miestach obdržíte na obecnom úrade.

AKUMULÁTOR



Akumulátor obsahuje náplne, ktoré sú nebezpečné pre životné prostredie, preto ho odovzdajte na ekologickú recykláciu / likvidáciu do spätného zberu akumulátorov. Podľa európskej smernice o akumulátoroch a batériách 2006/66 EC nesmie byť nepoužiteľné akumulátory vyhodené do zmiešaného odpadu či životného prostredia. Informácie o zberných miestach obdržíte na obecnom úrade.

Záručná lehota a podmienky (práva z chybného plnenia)

- Ak požiadate o to kupujúci, je predávajúci povinný kupujúcemu poskytnúť záručné podmienky (práva z chybného plnenia) v písomnej forme podľa zákona.

ZÁRUČNÝ A POZÁRUČNÝ SERVIS

Pre uplatnenie práva na záručnú opravu tovaru sa obráťte na obchodníka, u ktorého ste tovar zakúpili.

EÚ Vyhlásenie o zhode

Výrobca Levior s.r.o. • Tovačovská 3488, SK-750 02 Přerov prehlasuje, že následne označené zariadenie na základe svojej koncepcie a konštrukcie, rovnako ako na trh uvedená prevedení, zodpovedajú nižšie uvedeným požiadavkám Európskej únie. Toto vyhlásenie sa vydáva na výhradnú zodpovednosť výrobcu.

Predmety vyhlásenie-identifikácie výrobcov:

Aku rázový uťahovák:

28021 Aku rázový uťahovák

sú v zhode s nasledujúcimi harmonizovanými normami vrátane ich pozmeňujúcich príloh, ak existujú, na základe ktorých sa vyhlasuje zhoda s ďalej uvedenými harmonizačnými predpisy:

2006/42 ES:

EN 62841-1:2015, EN 62841-2-1:2018, EN 62841-1:2015, EN 62841-2-2:2014 aku vŕtačky; EN 62841-1:2015, EN 62841-2-2:2014 aku rázový uťahovák; EN 60745-1:2009, EN 60745-2-6:2010 vŕtacie kladivo; EN 60745-1:2009, EN 60745-2-3:2011 uhlová brúska; EN 62841-1:2015, EN 62841-2-4:2014 multifunkčné oscilačné náradie; EN 62841-1:2015, EN 62841-2-5:2014 kotúčová píla; EN 62841-1:2015, EN 62841-2-4:2014 excentrická brúska; EN 60745-1:2009/A11:2010, EN 60745-2-16:2010 klincovačka / sponkovačka; EN62841-1:2015, EN62841-2-11:2016 píla ocaska; EN 62841-1:2015, EN 62841-2-11:2016 priamočiara píla; EN 60598-2-5:2015 použitá v spojení s EN 60598-1:2015, doložka 9.2 led svetlo; EN 62841-2015, EN 62841-2-2:2014 aku rázový uťahovák

(EU) 2014/35:

EN 60335-1:2012, EN 60335-2-29:2004; EN 62233:2008 nabíjačky

(EU) 2014/30:

EN 55014-1:2006 do 28.4.2020/ poté EN 55014-1:2017; EN 55014-2:1997 do 25.3.2018/ poté dle EN 55014-2:2015; pro nabíjačky eště: EN 61000-3-2:2014; EN 61000-3-3:2013;

(EU) 2011/65: EN 50581:2012

EN 62133:2013 do 14.3.2020/poté EN 62133:2017, UN 38.3 akumulátor



Kompletizácii technickej dokumentácie 2006/42 ES a 2000/14 ES vykonal Ondřej Marek so sídlom na adrese výrobcu.

Technická dokumentácia (2006/42 ES, 2000/14 ES) je dostupná na adrese výrobcu.

Miesto a dátum vydania vyhlásenie o zhode EÚ: Přerov, 3.3.2021

Osoba oprávnená vypracovaním vyhlásenia o zhode EÚ v mene výrobcu

(Podpis, meno, funkcia):


Tovačovská 3488/28, 750 02 Přerov
IČO 61973939 DIČ CZ61973939
tel.: 581 746 256-8, fax: 581 746 255


Ondřej Marek

konateľ spoločnosti Levior s.r.o.